



Outdoor & Retrofit Lighting Product Guide

Table Of Contents

Outdoor & Retrofit Lighting Product Guide

LT2 Area Light.....	2-5
Features.....	2
Specifications.....	3-4
Mounting Options.....	5
WP Model Lights.....	6-8
WP 30.....	6
WP Medium.....	7
WP Large.....	8
WMF Small.....	9
WMF Medium.....	10
SLA Sports Lighting.....	11
LTCA Retrofit Light.....	12-13
Features and Specs.....	12
Installation.....	13
LTCB Retrofit Light.....	14-16
Features and Specs.....	14
Features (cont.).....	15
Installation.....	16
LTCH Retrofit Light.....	17-18
Features and Specs.....	17
Installation.....	18
LTCI Retrofit Light.....	19-20
Feature and Specs.....	19
Installation.....	20

LEDrite LT2 Model Area Light

High performance and energy efficient LT LED



Slim, die cast aluminum housing

Modular design for easy maintenance

Simple one person installation

Available Finishes:



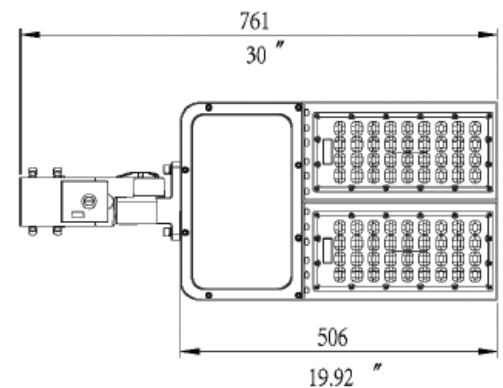
Standard color : Dark Bronze

Corrosion resistant coating

Customized colors are available

ELECTRICAL AND OPTICAL SPECIFICATIONS

- 100-277V and 277-480V available
- Surge protection 10KV built-in and 20KV optional
- Lumileds 3030 chips and Inventronic driver
- Photocell and motion sensor optional
- IP67 LED Module, IP66 complete fixture
- Type2, Type3, Type4 and Type5 light distributions



Page 2 of 20

US designed & assembled, UL certified and DLC Prime 4.2 listed high performance



Technical Parameters

Wattage	120-320W	IP	IP66
Power	120-277VAC/277-480VAC	LED	Lumileds
PF	0.9	Certifications	ETL/DLC
Life Span	50,000hrs	Photocell	Optional
Efficacy	130lm/W	Motion Sensor	Optional
CCT	2200-5700K	0-10V	Standard
CRI	>=70	Optics	Type3/Type4/Type5
Operating Temperature	-40-50°C	Finish	Dark Bronze

Ordering Information

Product Series	Wattage	Power	CCT	Optics	Finish	Installation	Control
LT2	120/150/200/ 240/320	A/B	X	N	U	Z	D
LT2	120 120W	A 120-277V	3 3000K	2 Typ2	D Dark Bronze	ARM Arm-Round-Medium	D0 Without Control Sensor
	150 150W	B 277-480V	4 4000K	3 Typ3	W White	ARL Arm-Round-Large	D1 Photocell
	200 200W		5 5000K	4 Typ4	G Gray	ASL Arm-Square-Large	D2 Motion Sensor
	240 240W			5 Typ5	B Black	ASM Arm-Square-Medium	D3 Photocell + Motion Sensor
	320 320W					AOK Arm One-Key Operation	
						AON Arm One-Key Not Operation	
						SLI Slip Fitter	
						TRU Trunnion	
						SLO Slip Fitter for One	

Example: LT2150A53DSLID0

LT2 Model, 150W, 120-277V, 5000K, Type3 distribution, Dark Bronze, Slip Fitter mount, No Control sensor

150W 100W
120W-320W Available
LEGO Modules

Knock-off for photocell & motion sensor

One Person Installation

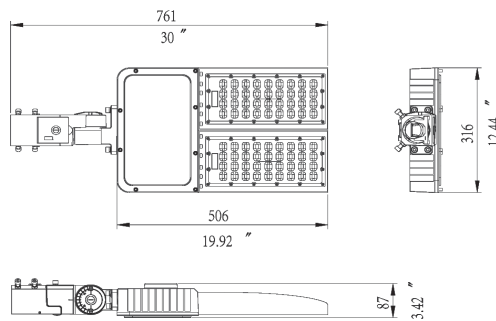
Flood Light Application Available

Type II/III/IV/V
Title 24 Compliant

Breathing Valve

Motion Sensor

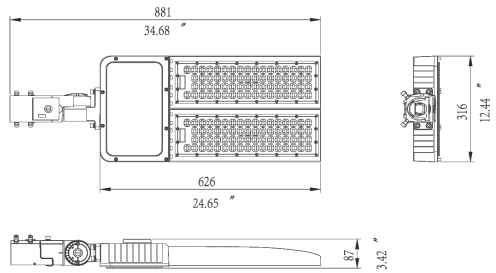
120/150/200 Watt



Net Weight	16.7 lb
Gross Weight(kg)	20.0 lb
Product Dimension	29.9x12.4x3.4 in
Carton Dimension	29.1x14.5x8.4 in

Wattage	Voltage	Efficacy		
		2200K	3000K	4000K/5000K/5700K
120W	100-277V/277-480V	105lm/W	135lm/W	140lm/W
150W	100-277V/277-480V	105lm/W	130lm/W	135lm/W
200W	100-277V/277-480V	100lm/W	125lm/W	130lm/W

240/320 Watt



Net Weight	20.0 lb
Gross Weight(kg)	23.3 lb
Product Dimension	34.7x12.4x3.4 in
Carton Dimension	33.8x14.5x8.4 in

Wattage	Voltage	Efficacy		
		2200K	3000K	4000K/5000K/5700K
240W	100-277V/277-480V	105lm/W	130lm/W	135lm/W
320W	100-277V/277-480V	100lm/W	125lm/W	130lm/W

Mounting Options



For 2 and 3/8in Tenon



For 1 and 9/16in Tenon



For Square Pole

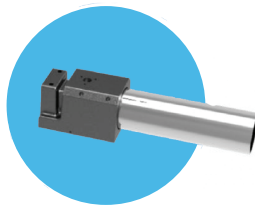


For Round Pole

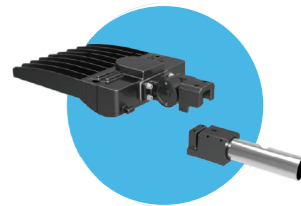


Installation Procedures

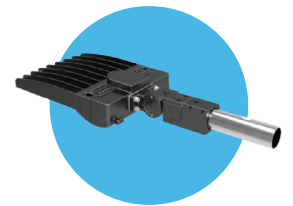
Tenon or Round Pole Mount



Step 1: Install the bracket to the pole

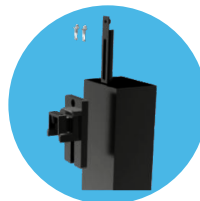


Step 2: Line the fixture up to the bracket

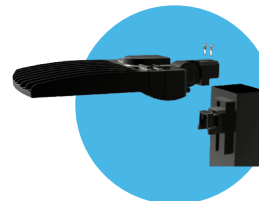


Step 3: Tighten screws to secure

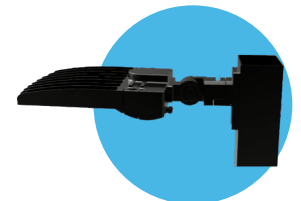
Square Pole Mount



Step 1: Intall the Bracket to the pole



Step 2: Line the fixture up to the bracket



Step 3: Tighten screws to secure



WP MODEL

30W

Wall Pack Series
Luminaire LED



LED RITE



Electrical Specifications:

- Input Voltage: 100-277 VAC
- Luminaire Efficiency: 100 lm/w
- Operating Temperature: -13°F to 104°F
- Lumen Output : 3400/3800 lumen @5000K
- Color Temperature (TYP):4000K & 5000K
- Color Rendering Index: >=80
- Power Factor (PF): >=0.9

Features and Benefits:

- Designed for damp and wet locations.
- Excellent luminaire efficacy provides significant energy savings
- Resistance to corrosion, flame and vandal-
- Available in 4000K & 5000K color temperature.
- Rated Life : >=50,000 hours
- RoHS Compliant - Mercury free and Lead free
- Five-year warranty.

Construction/Finish:

- Color : Black/Dark Bronze
- Size : 14.21" x 9.25" x 7.40"



Ordering Information

Example: **WP3050**



Model Number	Luminaire Type	Color Temperature	Option	Option	
WP	30	40	D	P	
WP -Wall Pack WF - Full Cutoff	30 -30W	40 - 4000K 50 - 5000K	D - Dimmable Blank - non-dim	P - Photocell Blank - no-photocell	

Note: Specifications subject to change without notice. Actual performance may differ as a result of end user environment and application.

WP MODEL

Medium
Wall Pack Series
Luminaire LED



With Full Cut-Off Casing

Features and Benefits:

- Designed for damp and wet locations.
- Excellent luminaire efficacy provides significant energy savings
- Resistance to corrosion, flame and vandal-
- Available in 4000K & 5000K color temperature.
- Rated Life : $\geq 50,000$ hours
- RoHS Compliant - Mercury free and Lead free
- Five-year warranty.

Electrical Specifications:

- Input Voltage: 100-277 VAC
- Power Consumption: 45W/70W
- Luminaire Efficiency: 116/118 lm/w
- Operating Temperature: -13°F to 104°F
- Lumen Output : 4500/6800 lumen (regular)
4900/7350 lumen (full cutoff)
- Color Temperature (TYP): 4000K & 5000K
- Color Rendering Index: ≥ 80
- Power Factor (PF): ≥ 0.9



Ordering Information

Example: **WP4540D**

Construction/Finish:

- Color : Black/Dark Bronze
- Size : 14.21" x 9.25" x 7.40"

Model Number Luminaire Type Color Temperature Option Option

Page 7 of 20

WP	45	40	D	P	F
	45 - 45W 70 - 70W	40 - 4000K 50 - 5000K	D - Dimmable Blank - non-dim	P - Photocell Blank - no-photocell	F - Full cutoff Blank - Regular

Note: Specifications subject to change without notice. Actual performance may differ as a result of end user environment and application.



WP MODEL

Large
Wall Pack Series
Luminaire LED



With Shield

Features and Benefits:

- Designed for damp and wet locations.
- Excellent luminaire efficacy provides significant energy savings
- Resistance to corrosion, flame and vandal-
- Available in 4000K & 5000K color temperature.
- Rated Life : $\geq 50,000$ hours
- RoHS Compliant - Mercury free and Lead free
- Five-year warranty.

Electrical Specifications:

- Input Voltage: 100-277 VAC
- Power Consumption: 90W/135W
- Luminaire Efficiency: 124/121 lm/w
- Operating Temperature: -13°F to 104°F
- Lumen Output : 7,500/11,200 lumen (regular)
- Color Temperature (TYP): 4000K & 5000K
- Color Rendering Index: ≥ 80
- Power Factor (PF): ≥ 0.9



Ordering Information

Example: **WP9040D**

Construction/Finish:

- Color : Black/Dark Bronze
- Size : 18.00" x 9.75" x 8.72"

Page 8 of 20

Model Number	Luminaire Type	Color Temperature	Option	Option	
WP	90	40	D	P	F
	90 - 90W 135 - 135W	40 - 4000K 50 - 5000K	D - Dimmable Blank - non-dim	P - Photocell Blank - no-photocell	F - Full cutoff Blank - Regular

Note: Specifications subject to change without notice. Actual performance may differ as a result of end user environment and application.



MWF MODEL

Mini Full Cut Off-Small
Wall Pack Series
Luminaire LED



Electrical Specifications:

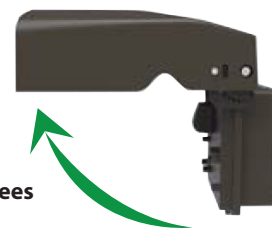
- Wattage: 27W/40W
- Input Voltage: 100-277 VAC
- Luminaire Efficiency: 131 lm/w
- Operating Temperature: -13°F to 104°F
- Lumen Output : 3600/5200 lumen
- Color Temperature (TYP): 4000K & 5000K
- Color Rendering Index: ≥ 70
- Power Factor (PF): ≥ 0.9

Features and Benefits:

- Designed for damp and wet locations.
- Excellent luminaire efficacy provides significant energy savings
- Resistance to corrosion, flame and vandal-
- Available in 4000K & 5000K color temperature.
- Rated Life : $\geq 50,000$ hours
- RoHS Compliant - Mercury free and Lead free
- Five-year warranty.

Construction/Finish:

- Color : Black/Dark Bronze
- Size : 7.29" x 9.13" x 4.2"



Head Tilts 0 to 90 Degrees

Ordering Information

Example: **MWF2750**



Model Number	Luminaire Type	Color Temperature	Option	Option
MWF	30	40	D	P
MWF - Mini Full Cutoff	27 -27W 40 -40W	40 - 4000K 50 - 5000K	D - Dimmable Blank - non-dim	P - Photocell Blank - no-photocell

Note: Specifications subject to change without notice. Actual performance may differ as a result of end user environment and application.

MWF MODEL

Mini Full Cut Off-Medium
Wall Pack Series
Luminaire LED



Electrical Specifications:

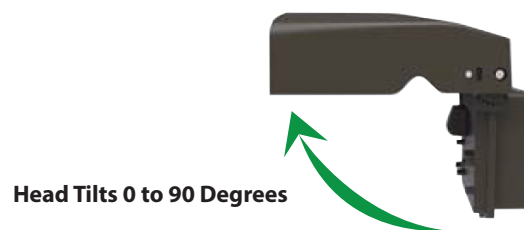
- Wattage: 80W
- Input Voltage: 100-277 VAC
- Luminaire Efficiency: 131 lm/w
- Operating Temperature: -13°F to 104°F
- Lumen Output : 10,500 lumen
- Color Temperature (TYP): 4000K & 5000K
- Color Rendering Index: >=70
- Power Factor (PF): >=0.9

Features and Benefits:

- Designed for damp and wet locations.
- Excellent luminaire efficacy provides significant energy savings
- Resistance to corrosion, flame and vandal-
- Available in 4000K & 5000K color temperature.
- Rated Life : >=50,000 hours
- RoHS Compliant - Mercury free and Lead free
- Five-year warranty.

Construction/Finish:

- Color : Black/Dark Bronze
- Size : 10.06" x 11.02" x 5.09"



Ordering Information

Example: **MWF2750**



Model Number	Luminaire Type	Color Temperature	Option	Option
MWF	30	40	D	P
MWF - Mini Full Cutoff	80 - 80W	40 - 4000K 50 - 5000K	D - Dimmable Blank - non-dim	P - Photocell Blank - no-photocell

Note: Specifications subject to change without notice. Actual performance may differ as a result of end user environment and application.

SLA MODEL

Sport Light Series

Luminaire LED



Features and Benefits:

- Clean, low profile design for easy installation.
- Excellent luminaire efficacy provides significant energy savings
- Optional 3-in-1 dimming functions
- Available in 4000K & 5000K color temperature.
- Rated Life : $\geq 50,000$ hours
- RoHS Compliant - Mercury free and Lead free
- Five-year warranty.

Electrical Specifications:

- Input Voltage: 90-305 VAC, 50/60 Hz; 277-480 VAC
- Power Consumption: 300W/450W/550W
- Luminaire Efficacy: 163/152/145 lm/w
- Operating Temperature: -40°F to 122°F
- Lumen Output :
 - 49,000 lumen (300W)
 - 68,500 lumen (450W)
 - 80,000 lumen (550W)
- Color Temperature (TYP): 4000K & 5000K
- Color Rendering Index: ≥ 75
- Power Factor (PF): ≥ 0.95

Construction/Finish:

- IP & IK rating: IP66
- Heat Sink: Aluminium alloy
- Lens: Polycarbonates
- Fixture Dimensions: 16" Dia x 14" H
- Fixture Weight: 42.37 lbs

Ordering Information

Example: **SLA450A5K030DH0**



Model Number	Output Wattage	Voltage	Color Temp	Beam Angle	Fixture Color	Mounting	Additional
SLA	450	A	5K	030	D	H	0
	300 - 300W 450 - 450W 550 - 550W	A - 120-277VAC B - 277-480VAC	4K - 4000K 5K - 5000K	030 - 30 degree 045 - 45 degree 090 - 90 degree	D - Dark Bronze S - Silver	H - Bracket Mount P - Tenon Mount	0 - No additional

Note: Specifications subject to change without notice. Actual performance may differ as a result of end user environment and application.

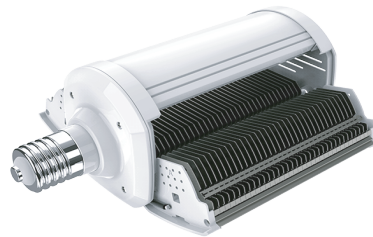
LTCA MODEL

Area Lighting Series

Luminaire LED



LED RITE



Dimensions

- 80W closed: D4.37" x L8.70"
- 80W open: D4.37" x 11.10"

- 110W closed: D9.02" x L8.70"
- 110W open: D9.02" x L11.10"

Ideal Retrofit Solution for existing 200W and 400W HPS Area Lighting Fixtures

Features and Benefits:

- Modern and clean style
- Patented design for thermal management
- Base E39
- 180 degree beam angle
- Flame retardant material
- >50,000 hours at L70
- 5-year warranty

Electrical Specifications:

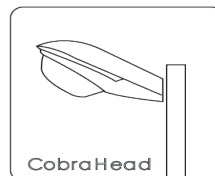
- Input Voltage: 100-277 VAC
- Power Consumption: 80W & 110W
- Power Factor: >0.9
- Lumens (+/- 200 lm):
80W - 10,800lm
110W - 14,850 lm
- Operating Temperature: -40°C to 60°C
- Luminaire efficiency :135 lm/w
- Surge Protection: 6KV
- IP64 Rated

Applications:

- Parking lot and area light retrofits

Construction/Finish:

- Aluminum body
- Polycarbonate lens



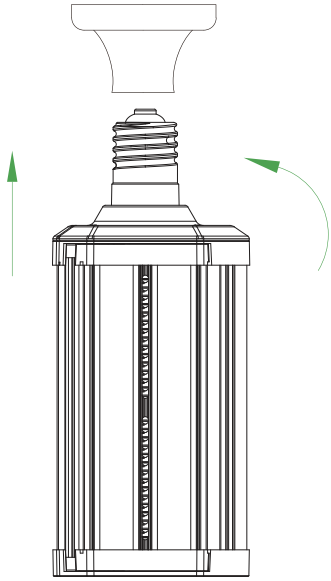
DLC #: GKS35-80W-01D3
Shenzhen Guanke Technologies



Rev - 03/21

Page 12 of 20

Installation



Step 1

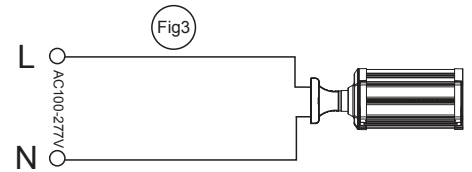
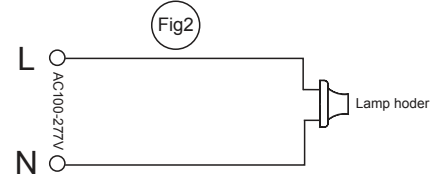
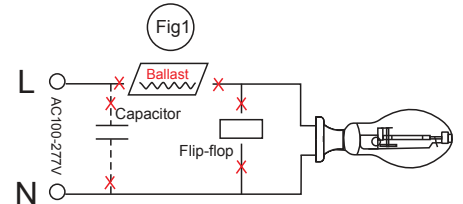
Shown as Figure 1
Remove old ballast and disconnect power from existing lamp holder. Remove and dispose of ballast in correct properly.

Step 2

Shown as Figure 2
Reconnect power directly to the existing lamp holder.

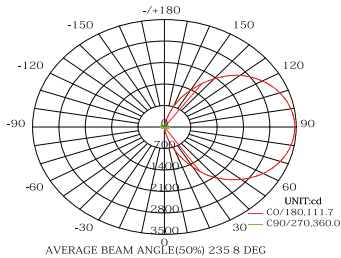
Step 3

Shown as Figure 3
Install new LED replacement lamp. Please make sure the old fitting is correctly grounded.

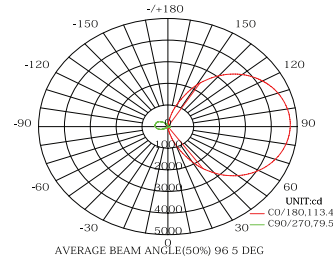


Light Distribution

80W: 9600+/-100lm



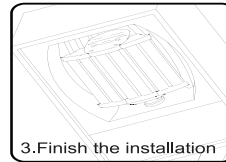
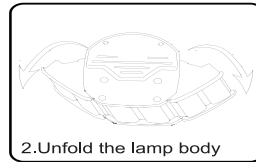
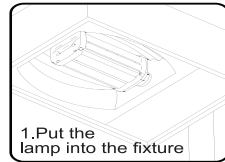
110W: 13200+/-100lm



WARNING: THE LAMP BODY MUST BE EXTENDED WITH 2 SIDES TO LIGHT UP !



CAUTION: RISK OF ELECTRIC SHOCK-DO NOT USE WHERE DIRECTLY EXPOSED TO WATER. DO NOT USE WITH DIMMERS, FOR USE IN TOTALLY ENCLOSED RECESSED FIXTURES.



Ordering Information:

Example: **LTCA80B50K**- LTCA model, 80W, E39 Base, 5000K



Model	Wattage	Base	Color Temperature
LTCA	80	B	50K
LTCA - Area Lights Retrofit	80-80W 110-110W	A-E26 B-E39	30K-3000K 40K-4000K 50K-5000K 57K-5700K

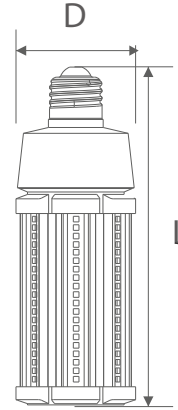
Note: Specifications subject to change without notice. Actual performance may differ as a result of end user environment and application.

LTCB MODEL

Corn Light Series
Luminaire LED



LED RITE



Dimensions

- 12W (E26) D2.63" x L4.91"
- 18W (E26) D2.63" x L5.69"
- 27W (E26) D2.63" x L6.68"
- 36W (E26) D.314" x L3.65"
- (E39) D.314" x L4.28"
- 45W (E26) D.314" x L4.83"
- (E39) D.314" x L5.46"
- 54W (E26) D.314" x L4.38"
- (E39) D.314" x L5.46"
- 63W (E26) D.314" x L9.39"
- (E39) D.314" x L9.98"

Features and Benefits:

- Modern and clean style
- Patented design for thermal management
- Surge Protection: 4KV
- Base E26 & E39
- Certification IP64
- Flame retardant material
- >50,000 hours at L70
- 5-year warranty
- Designed for enclosed fixtures

Electrical Specifications:

- Input Voltage: 100-277 VAC
- Luminaire Efficiency: 150 lm/w
- Lumens (+/- 200 lm):
 - 12W - 1,800lm
 - 18W - 2,700 lm
 - 27W - 4,000 lm
 - 36W - 5,400 lm
 - 45W - 6,700 lm
 - 54W - 8,100 lm
 - 63W - 9,400 lm
- Operating Temperature: -40°C to 60°C

Applications:

Ideal retrofit solution for Wall Pack, Acorn, Shoe Box, Canopy, Garage Light, Post Top, Flood Light, and Cobra Head Street lighting where the vertical mounting is necessary to replace traditional HID or HPS bulbs.

Construction/Finish:

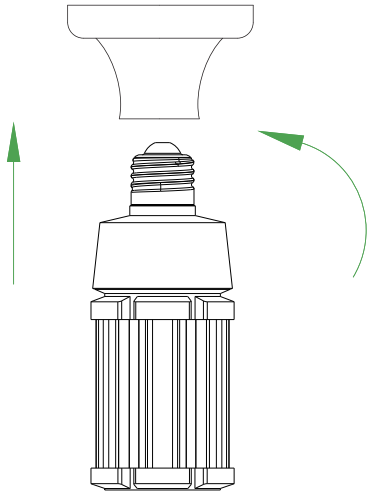
- Aluminum body
- Polycarbonate lens



Rev - 03/21

Page 14 of 20

Installation



Step 1

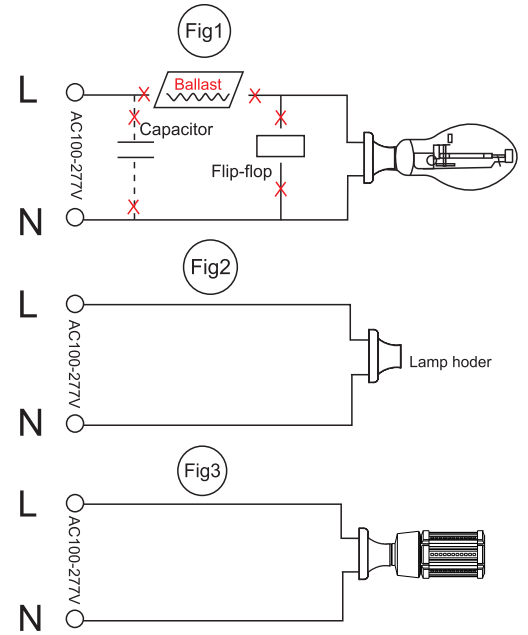
Shown as Figure 1
Remove old ballast or disconnect from existing lamp holder. Remove and dispose of ballast in correct manner.

Step 2

Shown as Figure 2
Reconnect directly to the existing lamp

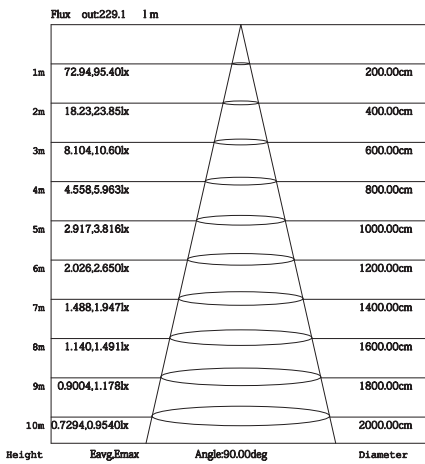
Step 3

Shown as Figure 3
Install new LED replacement lamp. Please make sure the old fitting is correctly grounded.

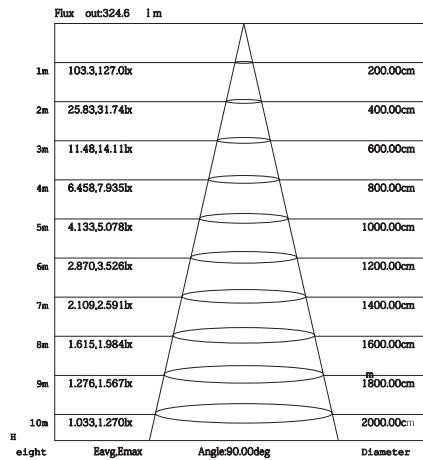


Light Distribution

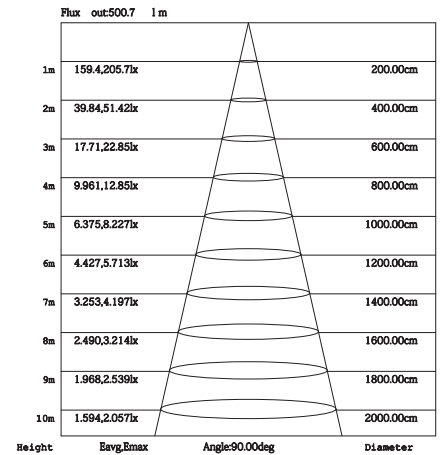
S39-12W-02



S39-18W-02



S39-27W-02



Extra Features

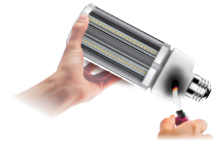
2835 150lm/W



350 degrees twistable



Flame retardant material



Uses high quality Rubycon capacitors



IP 64 design - Driver is fully sealed with thermal paste, works in temperatures of -40°C to 60°C (-40°F to 140°F)



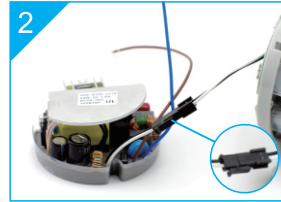
Fan-less heat dissipation solution



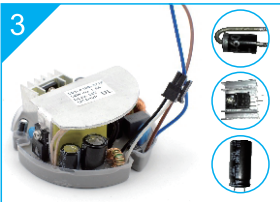
Guide-flow cove & hole guides water flow to prevent water damage



1 Isolated driver - better for heat dissipation



2 Easy replacement with slide connector from lamp body to driver.



3 High quality driver components: Rubycon capacitor (Japan), FIRST MOS (USA), MPS IC Chip (USA), Galaxy Diodes (biggest in China).



4 Driver with heat sink silicone for waterproof, dust proof and bug resistant

Ordering Information:

Example: **LTCB2-045M50KI** - LTCB2 model, 45W, E39 Base, 5000K

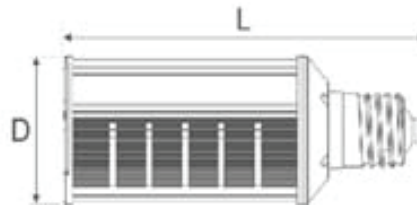


Model	Wattage	Base	Color Temperature	IP Rating
LTCB2	45	M	50K	I
COBB Light Retrofit - v2	12 - 12W 18 - 18W 27 - 27W 36 - 36W 45 - 45W 54 - 54W 63 - 63W	E-E26 M-E39	30K-3000K 40K-4000K 50K-5000K 57K-5700K	I - IP64

Note: Specifications subject to change without notice. Actual performance may differ as a result of end user environment and application.

LTCH MODEL

Horizontal Lighting Series
Luminaire LED



Dimensions

20W: (E26) D3.62" x L5.16"
(E39) D3.62" x L5.83"

40W: (E26) D3.62" x L7.80"
(E39) D3.62" x L8.46"

60W: (E26) D3.62" x L9.96"
(E39) D3.62" x L10.71"

Ideal Retrofit Solution for existing 75W,
175W, and 250W HPS Lighting Fixtures

Features and Benefits:

- Modern and clean style
- Patented design for thermal management
- Luminaire efficiency: 150 lm/w
- Surge Protection: 4kv for 20W & 40W model; 6kv for 60W model
- Base E26 & E39, 350 degree twistable
- Flame retardant material
- 180 degree beam angle
- >50,000 hours at L70
- 5-year warranty

Electrical System:

- Input Voltage: 100-277 VAC
- Power Consumption: 20W, 40W & 60W
- Power Factor: >0.9
- Lumens (+/- 200 lm):
20W - 3,000lm
40W - 6,000 lm
60W - 9,000 lm
- Operating Temperature: -40°C to 60°C

Applications:

- Replace existing non-LED lighting fixtures in these styles of fixture:



Construction/Finish:

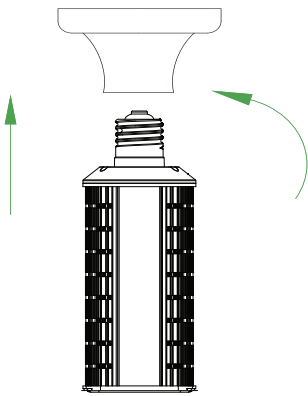
- Aluminum body
- Polycarbonate lens

DLC#: GKS38-20W
Shenzhen Guanke Technologies



Installation

Lamp Installation



Step 1

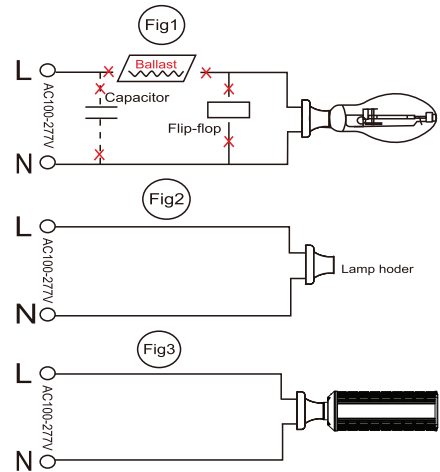
Shown as Figure 1
Remove old ballast or disconnect from existing lamp holder. Remove and dispose of ballast in correct manner.

Step 2

Shown as Figure 2
Reconnect directly to the existing lamp holder.

Step 3

Shown as Figure 3
Install new LED replacement lamp.
Please make sure the old fitting is correctly earth.



Support Stand Installation

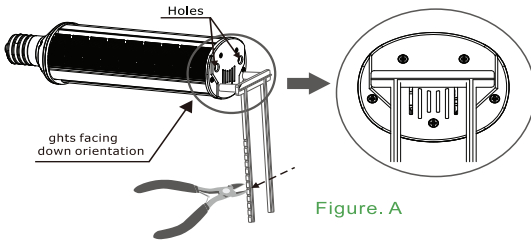


Figure. A

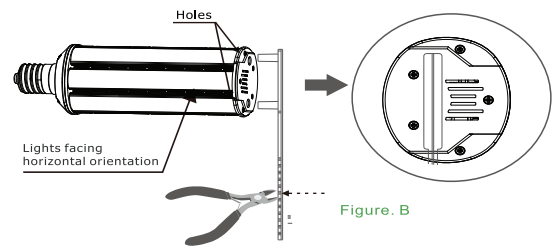


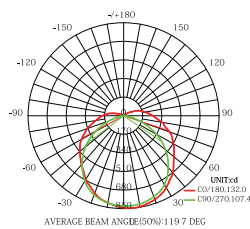
Figure. B

Instructions for two legs stand (shown as figure A)
Step 1: Screw the lamp onto the socket tightly and adjust the lamp.
Make sure the LED side of lamp is facing downward.
Step 2: Fix the two legs acrylic stand onto the bottom of the lamp.
Step 3: Cut off the excess part of the stand.

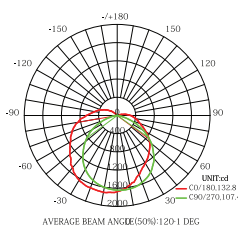
Instructions for one leg stand (shown as figure B)
Step 1: Screw the lamp onto the socket tightly, then adjust the lamp.
Make sure the LED side of lamp is in the horizontal orientation.
Step 2: Fix the one leg acrylic stand onto the bottom of the lamp.
Step 3: Cut off the excess part of the stand.

Light Distribution

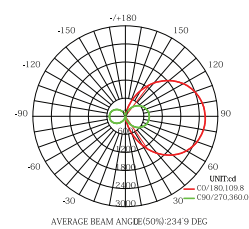
20W: 3000+/-200lm



40W: 6000+/-200lm



60W: 9000+/-200lm



Ordering Information:

Example: **LTCH40B50K-LTCHmodel, 40W, E39 Base, 5000K**



Model	Wattage	Base	Color Temperature		
LTCH	40	B	50K		
LTCH Led	20 - 20W	A - E26	50K - 5000K		
Horizontal	40 - 40W	B - E39	40K - 4000K		
Lighting model	60 - 60W		50K - 5000K		
			57K - 5700K		

Note: Specifications subject to change without notice. Actual performance may differ as a result of end user environment and application.

LTCI MODEL

High Bay Series
Luminaire LED



Dimensions

60W: (E26) D6.89" x L6.34" (E39) D6.89" x L6.93"

80W: (E26) D7.87" x L6.42" (E39) D7.87" x L7.01"

120W: (E39) D9.06" x L7.01"

Ideal Retrofit Solution for existing 200W, 250W, and 400W HID Lighting Fixtures

Features and Benefits:

- Modern and clean style
- Patented design for thermal management
- Luminaire efficiency: 135 lm/W
- Surge Protection, 4K: Protection against voltage spikes
- Base: E26 and E39 for 60W and 80W model; E39 for 120W only
- >50,000 hours at L70
- 5-year warranty
- No ballast required, please disconnect or remove ballast before installation
- Suitable for dry or damp environments
- Instant on or off
- Certified UL, LM79, RoHS, and DLC

Electrical Specifications:

- Input Voltage: 100-277 VAC
- Power Consumption: 60W, 80W & 1200W
- Power Factor: >0.9
- Lumens (+/- 200 lm):
 - 60W - 8,100lm
 - 80W - 10,800 lm
 - 120W - 16,200 lm
- Operating Temperature: -40°C to 60°C
- Lumens per Watt: 135 lm/w
- Color Rendering Index: 80+CRI
- IP Rating: IP42
- Non-Dimmable

Construction/Finish:

- Aluminum body
- Polycarbonate lens

Applications:

- Garage, warehouse high and low bay lighting
- Suitable for use in enclosed fixtures

DLC #: GKH10-80W
Shenzhen Guanke Technologies



Rev - 03/21

Page 19 of 20



Extra Features

Uplight

To eliminate dark ceilings and walls, uplight is provided

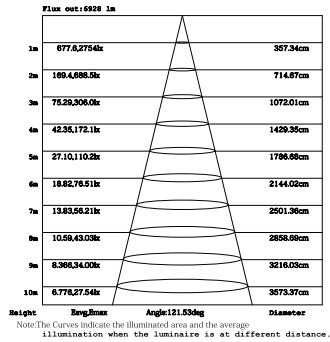
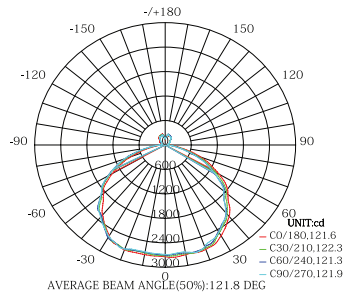
60W: 743 uplight lumen

80W: 770 uplight lumen

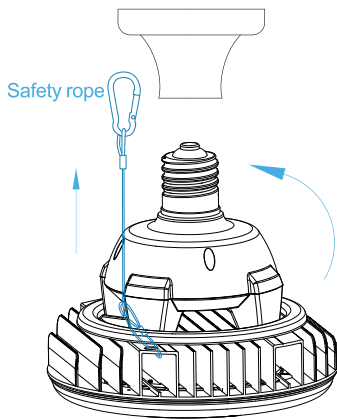
120W: 1080 uplight lumen

Light Distribution

LUMINOUS INTENSITY DISTRIBUTION DIAGRAM



Installation



Step 1

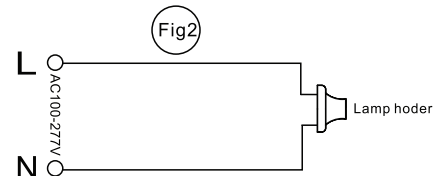
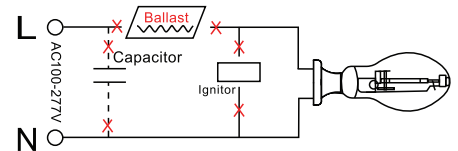
Shown as Figure 1
 Turn off the power before installation.
 Remove the old ballast, capacitor and ignitor (if existing)

Step 2

Shown as Figure 2
 Make sure the alternating Current Wires connect to the E26 or E39 socket directly (Reattach or replace ground lead if one is needed)

Step 3

Shown as Figure 3
 Screw the LED lamp onto the corresponding socket.



Ordering Information:

Example: **LTCI-60M50KU**

Model	Wattage	Base	Color Temperature	Extra
LTCI	60	M	50K	U
LED High Bay retrofit	60 - 60W 80 - 80W 120 - 120W	E - E26 M - E39	30K - 3000K 40K - 4000K 50K - 5000K 57K - 5700K	U - Uplight

Note: Specifications subject to change without notice. Actual performance may differ as a result of end user environment and application.